

# 4 Video/8 Audio Fiberoptic Video Multiplexer

Model **CL-48**



The rack-mountable CL-48 fiberoptic baseband video multiplexer is ideal for operating transmitting up to 4 channels of baseband video and 8 audio channels over fiberoptic cable. The CL-48 operates by digitizing and multiplexing 4 channels of standard baseband analog video into a high-speed serial cable using 10-bit sampling technology.

Because the system employs true digital transmission techniques, performance characteristics are consistent and maintained over the specified distance with absolutely no degradation of signal.

There are no FM carriers that need to be tuned or that can drift over time. The low component count and use of custom ASICs increase system reliability and performance.

The CL-48 is designed to work with standard singlemode or multimode fiberoptic cable and can be wall mounted or rack mounted.

Built-in diagnostics LEDs for each channel; loss of video signal and optical link indicator facilitate rapid setup and the continuous monitoring of all phases of operation. Operation can be monitored remotely via optional remote monitoring capabilities. SNMP can be supported as well.

## Features

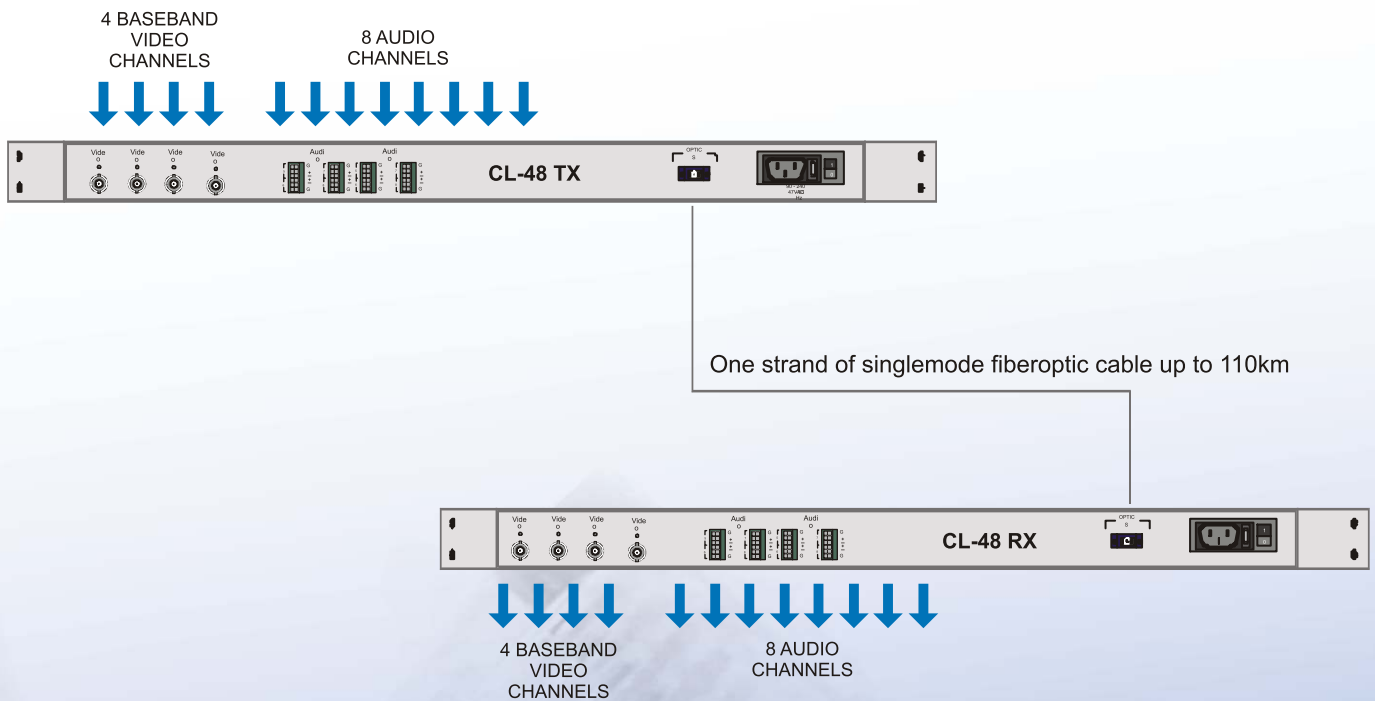
- 4 Channel Baseband Video Transmission
- 8 Audio Channels
- High Quality 10-bit Digital Video Sampling
- Transmit up to 110km over one strand of fiberoptic cable
- Field Expandable to 8 Video/16 Audio
- 67 dB SNR
- Bidirectional Transmission available

## Model Selection

<b>CL48-1S-SCA-40</b>	Fiberoptic Baseband Video Mux, 4 Video/8 Audio, Singlemode, 1 Fiber, SC/APC Connector, 40km
<b>CL48-1S-SCA-80</b>	Fiberoptic Baseband Video Mux, 4 Video/8 Audio, Singlemode, 1 Fiber, SC/APC Connector, 80km
<b>CL48-1S-SCA-110</b>	Fiberoptic Baseband Video Mux, 4 Video/8 Audio, Singlemode, 1 Fiber, SC/APC Connector, 110km

Other Connectors and Distances Available Upon Request

## Example Application



## Specifications

<b>Standards</b>	NTSC, PAL, SECAM
<b>Channels</b>	4 Baseband Video/8 Audio
<b>Video Bandwidth SNR/dP/dG</b>	10 Hz to 6.5 MHz 67 dB < 1 deg / < 1%
<b>Video Input</b>	1V p-p, 75 ohm
<b>Dimensions</b>	480mm x 225mm x 44mm
<b>Environment</b>	Operating temperature: 0°C to 50°C Storage temperature: -20°C to 70°C Operating humidity: 10% to 90% RH Storage humidity: 5% to 90% RH
<b>Input Power Requirements</b>	Voltage: 110/240V Auto-sense Internal Power
<b>Registration</b>	FCC Part 15 Class A, CE, UL, CUL, TUV