

1 Baseband Video/2 Audio Fiberoptic Multiplexer



Model **CL-12**

The rack-mountable CL-12 fiberoptic baseband video multiplexer is ideal for transmitting 1 channel of baseband video and up to 8 channels of audio over one strand of fiberoptic cable. The CL-12 operates by digitising and multiplexing baseband video and audio onto a high-speed serial cable. Because the system employs 10-bit digital transmission techniques, performance characteristics are consistent and maintained over the specified distance with no degradation of signal.

There are no FM carriers that need to be tuned or that can drift over time. The low component count and use of custom ASICs increase system reliability and performance. The CL-12 is designed to work with standard singlemode or multimode fiberoptic cable and can be wall mounted or rack mounted. Both transmitter and receiver come equipped with internal power supplies. Built-in diagnostics LEDs for each channel; loss of link facilitate the continuous monitoring of all phases of operation.

Features

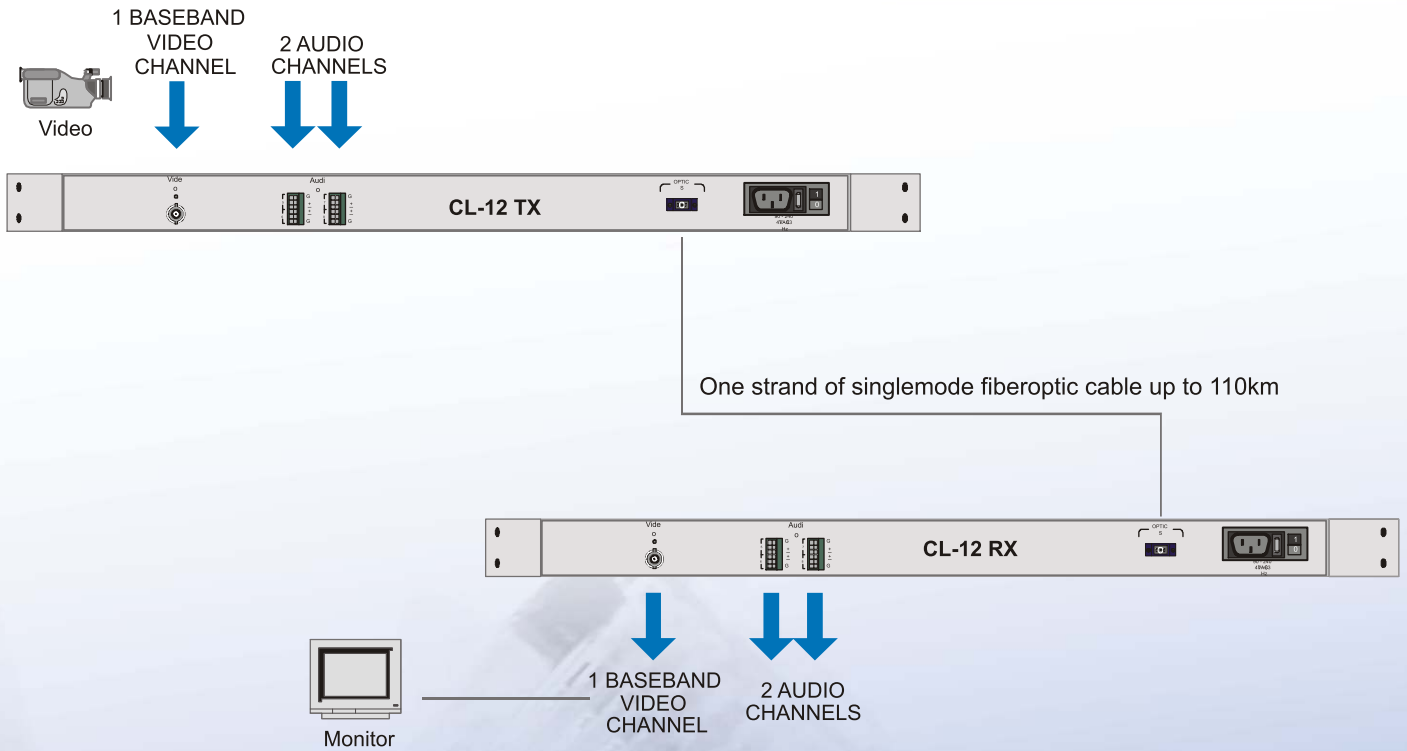
- High Quality 10-bit Digital Sampling of Video Inputs
- Uncompressed Digital Transmission
- Baseband Video or composite Video/Audio Transmission
- Optional 2, 4, 6 or 8 Channel Audio Transmission
- Audio Compatible with Balanced or Unbalanced Audio Formats
- Transmit up to 110km over one strand of fiberoptic cable
- High Quality Uncompressed Digital Transmission
- 67 dB SNR
- Bidirectional Transmission available

Model Selection

CL-12-1V-2A-1S-SCA-40	Fiberoptic Video Mux, 1 Baseband Video, 2 Audio, Singlemode, 1 Fiber SC/APC Connector, 40km
CL-12--2V-4A-1S-SCA-40	Fiberoptic Video Mux, 2 Baseband Video, 4 Audio, Singlemode, 1 Fiber SC/APC Connector, 40km
CL-12--2V-4A-1S-SCA-80	Fiberoptic Video Mux, 2 Baseband Video, 4 Audio, Singlemode, 1 Fiber SC/APC Connector, 80km

Other Connectors and Distances Available Upon Request

Example Application



Specifications

Standards	NTSC, PAL, SECAM
Channels	1 Baseband Video & 2, 4, 6 or 8 Audio (optional)
Video Bandwidth SNR/dP/dG	10 Hz to 6.5 MHz 67 dB, < 1 deg / < 0.5%
Video Input	1V p-p, 75 ohm
Audio	Terminal Block, 600 ohm
Dimensions	480mm x 225mm x 44mm
Environment	Operating temperature: 0°C to 50°C Storage temperature: -20°C to 70°C Operating humidity: 10% to 90% RH Storage humidity: 5% to 90% RH
Input Power Requirements	Voltage: 110/240V Auto-sense Internal Power