

E1/T1 over IP Gateway for LAN Telecom Application



Model CL-T1/ET

The CL-T1/ET is a telecom-grade E1/T1 Transport System over broadband Internet IP Network. The CL-T1/ET provides a point-to-point connection for an E1 or T1 circuit by converting unframed bit stream data into packets and transmitting over the IP packet network. A remote paired CL-T1/ET receives the packets and converts the payload back into the E1/T1 bit stream. Thus, a pair of CL-T1/ET emulates a leased

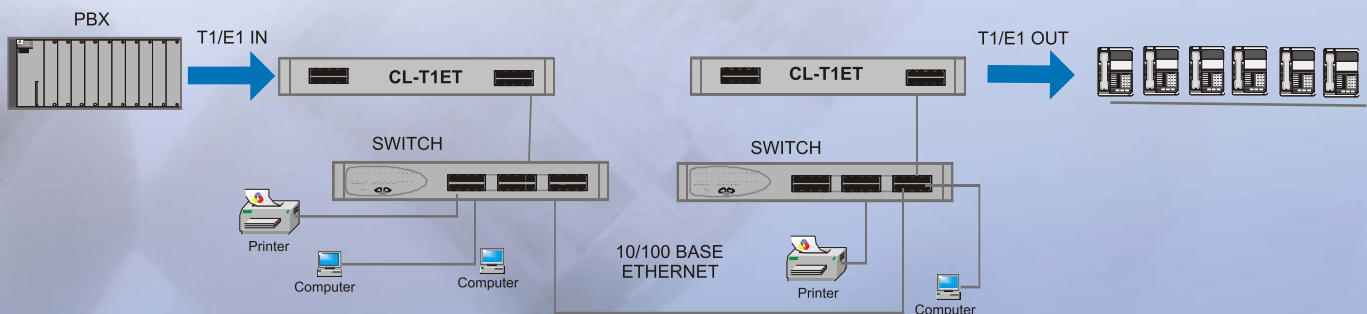
line E1/T1 connection at the data rate of 2048/1544 Kbps over the IP network. The CL-T1/ET uses a dynamic jitter buffer and accurate clock recovery to deliver high performance for E1/T1 circuit emulation over the varying traffic of the IP packet network.

Model Selection

CL-T1/ET

E1/T1 over TDM Gateway

Example Application



Specifications

Features	Support E1/T1 TDMolp 2048/1544 Kbps PWE3 IETF WG Compliance IETF RFC 1889 RTP header format 6 LED indicators for status monitoring	Console Port for Network Management configurations 110/220V AC and 48V DC DeskTop and 19" rack (option)
E1 Interfaces	Line interface: ETS1 ETR 152 standards Line Rate: 2048 Kbps + 50 ppm Line Code: HDB3, AMI	Frame Format: Framed, Unframed Line Impedance: 75/120 ohm for E1 Connectors: BNC, RJ-48
T1 Interfaces	Line interface: ITU-T G.703 standards Line Rate: 1544 Kbps + 50 ppm Line Impedance: 100 ohm	Line Code: B8ZS, AMI Frame Format: Framed, Unframed Connectors: RJ-48
Ethernet Interfaces	EEE 802.3 10/100BASE-T Interface Auto Negotiations for 10/100M & Half/Full Duplex Auto MDIX for Auto Tx/Rx Swap	Support IP/UDP/RTP Compatible with Wi-Fi WLAN IEEE 802.11b/g Connectors: RJ-45
Status LED	Power: G1600 power ready LOS: Signal Loss Indicator on E1/T1 interface E1: E1 interface status	T1: T1 interface status LAN: Data Activity on LAN Interface 10/100M: LAN speed
Dimensions	260mm x 151mm x 44 mm	
Operating Environment	Humidity: 5% to 95% non - condensing Temperature: 0°C to +50°C	
Regulatory Compliance	CE, FCC Rules Part 15 Class A	